

SEAL ASSEMBLY & INSTALLATION GUIDELINES FOR DUO-CONE SEALS

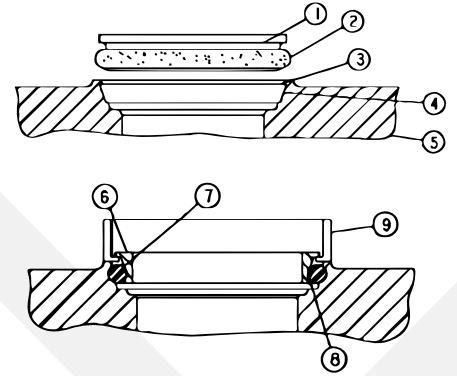


DUO-CONE SEAL ASSEMBLY CONTENTS:

- (2) Metal Seal Rings
- (2) Elastomeric Toric Rings

TERMINOLOGY

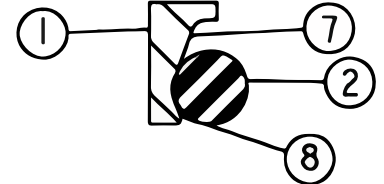
1. Seal Ring
2. Rubber Toric
3. Housing Retainer Lip
4. Housing Ramp
5. Seal Ring Housing
6. Seal Ring Face
7. Seal Ring Ramp
8. Seal Ring Retaining Lip
9. Installation Tool



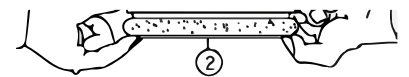
HOUSING PREPARATION

The housing components that contact the rubber toric rings (3 and 4) must be free from foreign material (oil, grease, dirt, metal chips, dust or lint particles, etc) before installing the seal. This should be done using a lint-free wipe and a non-petroleum based solvent. Dry with a clean wipe.

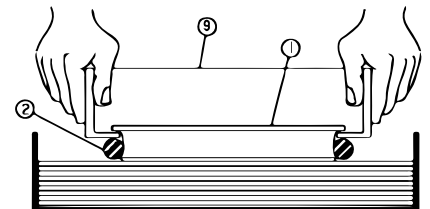
Remove any foreign material from the rubber torics (2), the ramps (7) and the lips (8) of both seal rings. This should also be done with a lint-free wipe and a non-petroleum based solvent. Dry with a clean wipe.



Place the rubber torics on the metal seal ring at the bottom of the seal ring ramp and against the retaining lip. Make sure the rubber toric is straight on the seal ring and not twisted. Be careful not to nick or cut the torics during the assembly, as this can cause leaks. Put the installation tool onto the metal seal ring and rubber toric. Lightly dampen the lower half of the rubber toric with the appropriate assembly lubricant.



Techniques to dampen the toric include wiping with a lint-free towel, lubricating using a clean foam brush, or dipping in a container lined with towels saturated in the assembly lubricant (as shown).



Seal groups with silicone torics can be assembled using a freezer to slightly contract the toric rings.

Seal groups should be placed in a freezer for 5 minutes at -40o to -18oC prior to installation. Contraction will be sufficient to allow installation. Groups should warm to room temperature prior to further assembly.

APPROVED ASSEMBLY LUBRICANTS

- Isopropyl Alcohol *

- Houghto-Grind 60 CT

- QuakerR Solvo Clean 68-RAH

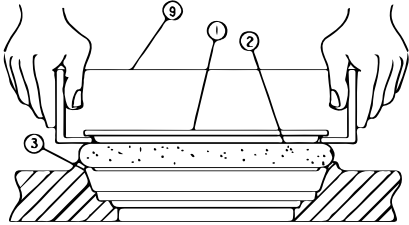
(*) All applicable safety and disposal guidelines for flammable liquids must be followed.

Note: Do not use Stanosol or any other liquid that leaves an oil film that does not evaporate quickly.



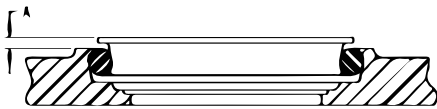
SEAL ASSEMBLY & INSTALLATION GUIDELINES FOR DUO-CONE SEALS

INSTALLATION PROCESS

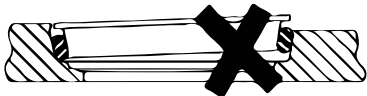
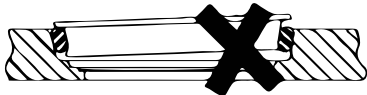
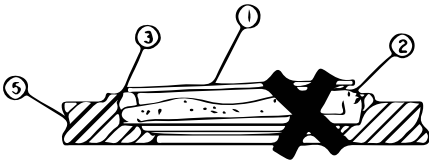


With the lower half of the rubber toric still wet, use the installation tool to position the seal ring and the rubber toric squarely against the application housing (as shown).

For smaller diameter seals, use sudden and even pressure to push the rubber toric under the retaining lip of the housing. For larger diameter seals, which will not press in with sudden and even pressure, it is acceptable to work the toric past the retaining lip by starting one side and tapping the opposite side of the installation tool with a rubber mallet until it is engaged past the retaining lip of the housing. Check the assembled height variation (A) in a least four places, 90o apart, use a vernier caliper.



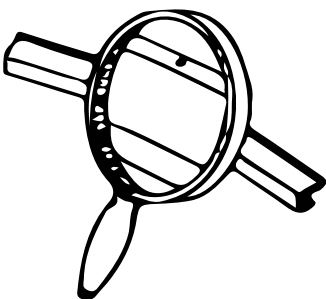
The difference in height around the ring must not be more than 1.0mm. If small adjustments are necessary, do not push or pull directly on the seal ring. Use the installation tool to push down and your fingers to pull up uniformly on the rubber toric and seal ring.



The rubber toric can twist if it is not wet all around during installation or if there are burrs or fins on the retaining lip of the housing. Twists, misalignment, and bulges of the toric (as shown) will result in seal failure. If correct installation is not obvious, remove the seal from the housing and repeat process.

The rubber torics must never slip on the ramps of either the seal ring or the housing. To prevent slippage, allow adequate evaporation time for the lubricant before proceeding with further assembly. Once correctly in place, the rubber toric must roll on the ramp only. The opposite shows incorrect installations resulting in cocked seals. Wipe the face of each seal ring using a lint-free wipe. No particles of any kind are permissible on the sealing surfaces. (Even a hair can hold the seal faces apart and cause a leak)

Apply a thin film of oil on the entire seal face of one or both seals using a lint free applicator. Oil must not contact surfaces other than the sealing face.



SEAL ASSEMBLY & INSTALLATION GUIDELINES FOR DUO-CONE SEALS

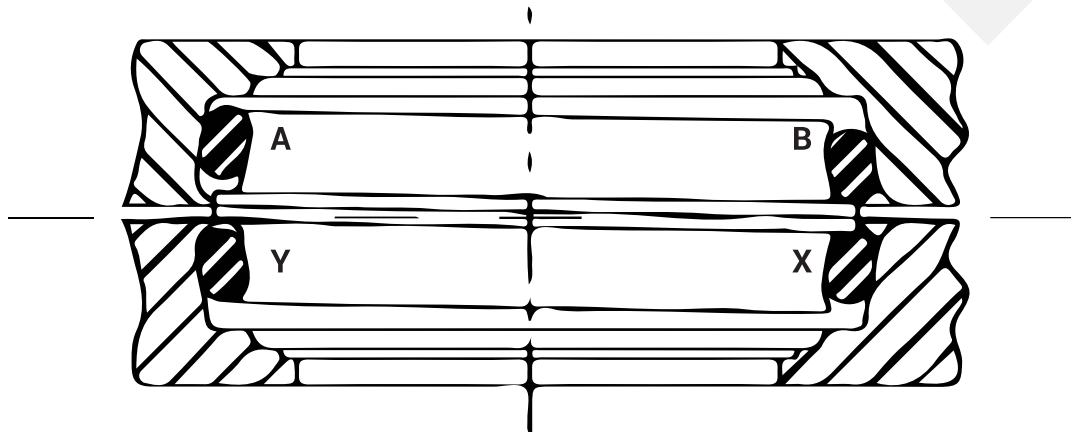
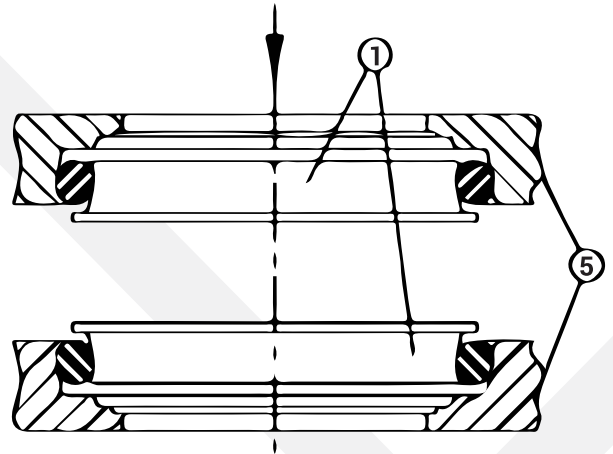


FINAL ASSEMBLY

While completing the final assembly of the unit, make sure that both housings are in correct alignment and are concentric. Slowly bring the two housings together. High impact can scratch or break the seal components.

If the rubber toric slips at any location, it will twist, causing the seal rings to cock. Any wobbling motion of the seal is an indication of cocked seals and can cause dirt to enter by pumping mud past the torics.

The following examples show the effects of a cocked seal group.



The above depicts how the torics have slipped instead of rolling on the left hand side of the seal. The following shows the same seal after the bottom half is rotated 180°.

